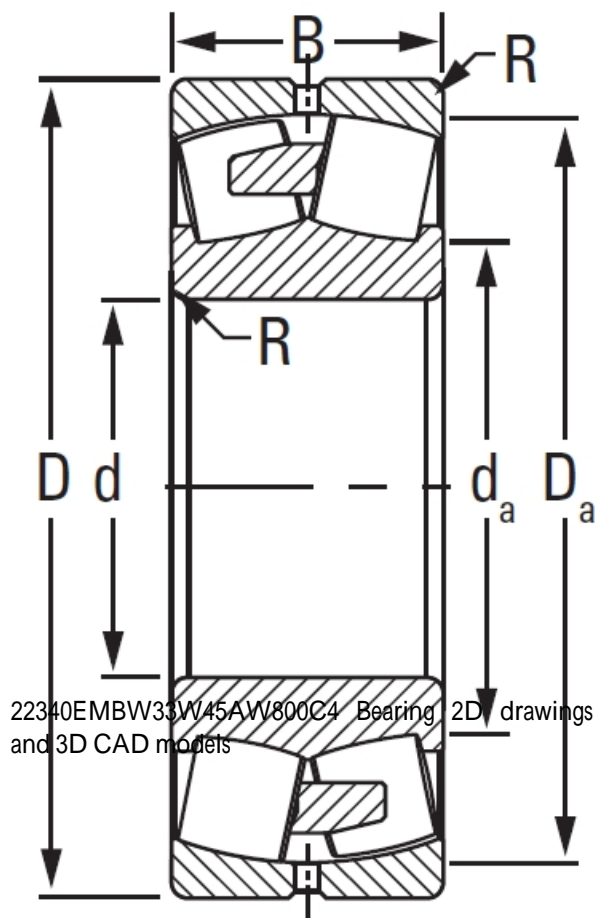




Changzhou Tensun Bearing Co., Ltd.

TIMKEN 22340EMBW33W45AW800C4 Bearing

Bearing No. 22340EMBW33W45AW800C4



22340EMBW33W45AW800C4 Bearing 2D drawings and 3D CAD models

Design Unit	METRIC
Bearing Weight	93 Kg
Cage Type	EMB
UPC Code	087796191327
Cage Material	Brass
Superseded Part	22340YMBW33W45AW800C4
d	200 mm
D	419.993 mm
B - Inner Ring Width	138 mm
B - Outer Ring Width	138.000 mm
R - Inner Ring To Clear Radius ¹	4.000 mm
r - Outer Ring To Clear Radius ²	4.000 mm
da - Inner Ring Backing Diameter	246.000 mm
Da - Outer Ring Backing Diameter	369.000 mm
C0 - Static Radial Rating	2930000 N
C1(2) - Dynamic Radial Rating (Two-Rows)	2470000 N
e - ISO Factor ³	0.33
Y0 - ISO Factor ⁴	2.02
Y1 - ISO Factor ⁵	3.01
Y2 - ISO Factor ⁶	1.98
Reference Thermal Speed Rating (Grease)	1000



Changzhou Tensun Bearing Co., Ltd.

Reference Thermal Speed Rating (Oil) ⁷	1200
C _g - Geometry Factor ⁸	0.1034